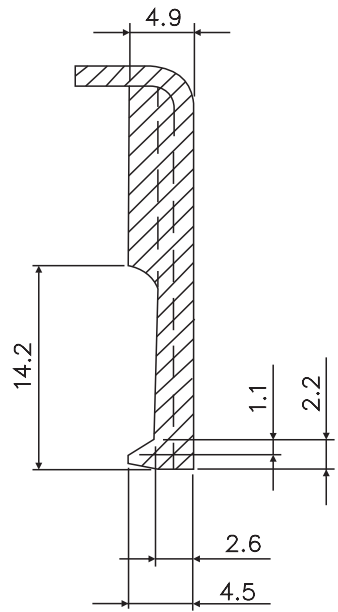
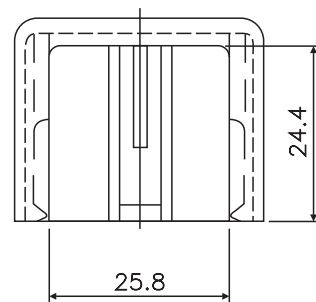
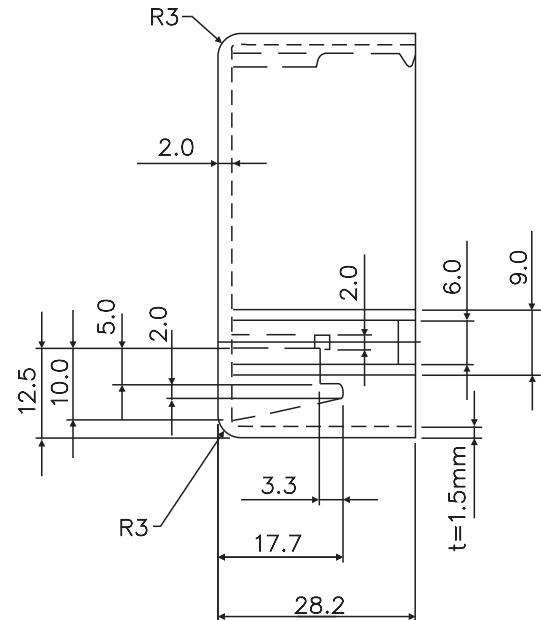
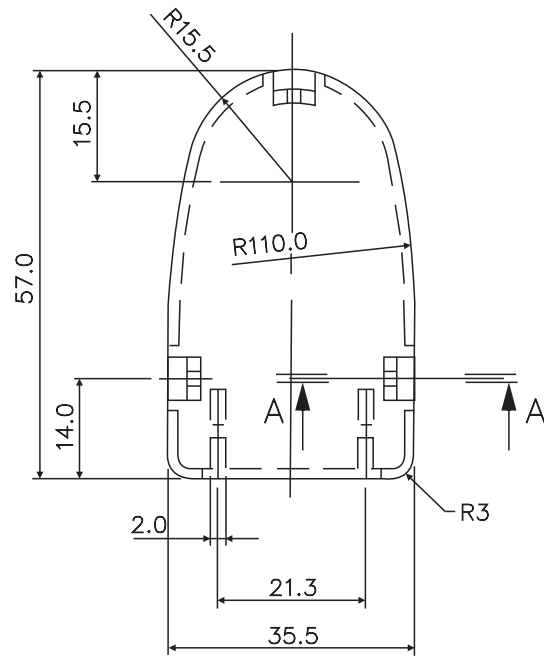


REV	DESCRIPTION	DATE
A	Initial Release	01:11:29




SEC: A-A  
(S=2/1)



MATERIAL : MATTE PC

TOLERANCE ±0.2mm (UNLESS SPECIFIED)

 <b>Truecom Technology Corp.</b>				DRAWN BY		TOMMY			
				CHECKED		TOMMY			
TITLE:		Dust Cover for BT-2300				APPROVED		CAROL	
PART NO:		CP-2300				DRAWING NO.			
SCALE		1:1	REV	A	UNIT	mm	